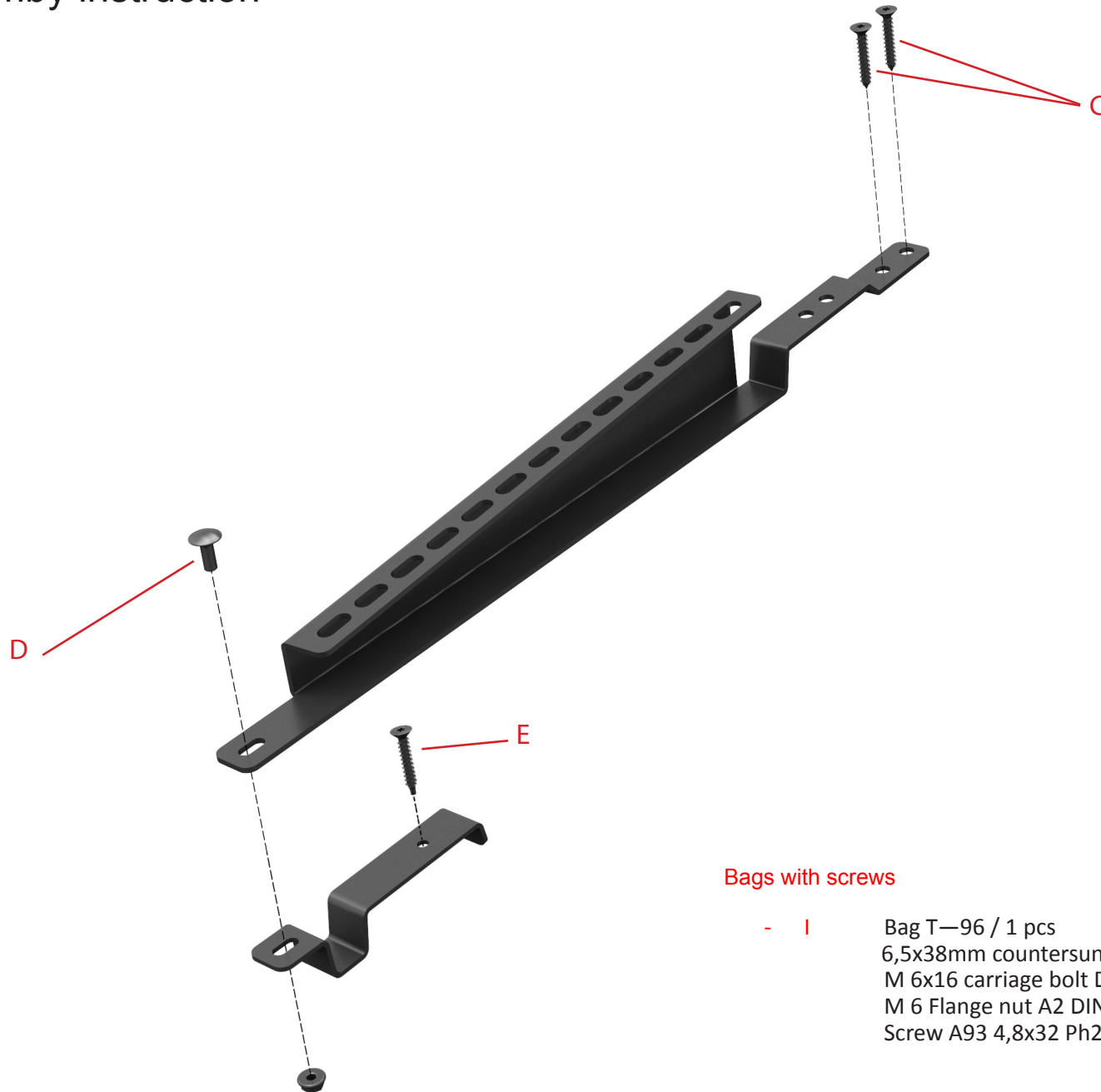
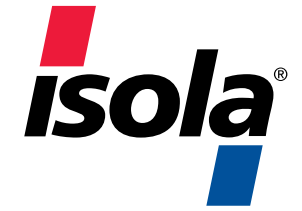


# Solar brackets / Solar-Trägerstütze

## Assembly instruction



### Bags with screws

- |   |   |  |         |
|---|---|--|---------|
| - | I | Bag T—96 / 1 pcs                                 |         |
|   |   | 6,5x38mm countersunk woodscrew fibercut TX30 -C4 | - 2 pcs |
|   |   | M 6x16 carriage bolt DIN603 A2                   | - 1 pcs |
|   |   | M 6 Flange nut A2 DIN6923 serr.                  | - 1 pcs |
|   |   | Screw A93 4,8x32 Ph2 C4                          | - 1 pcs |